

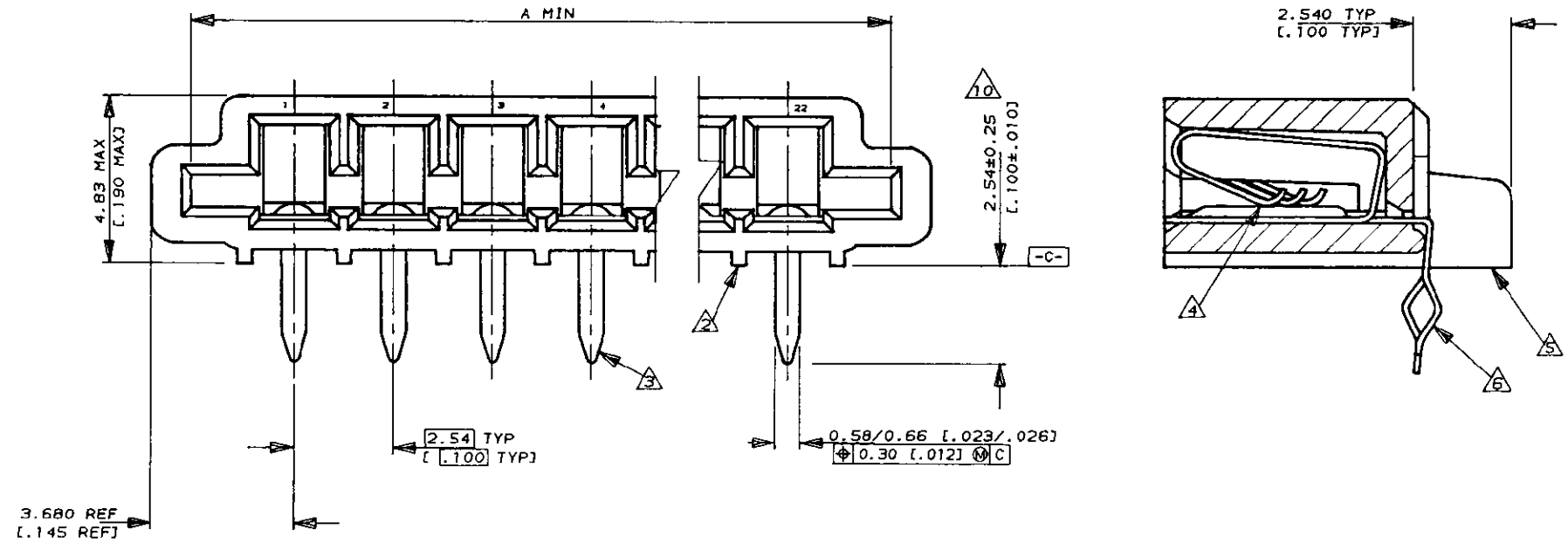
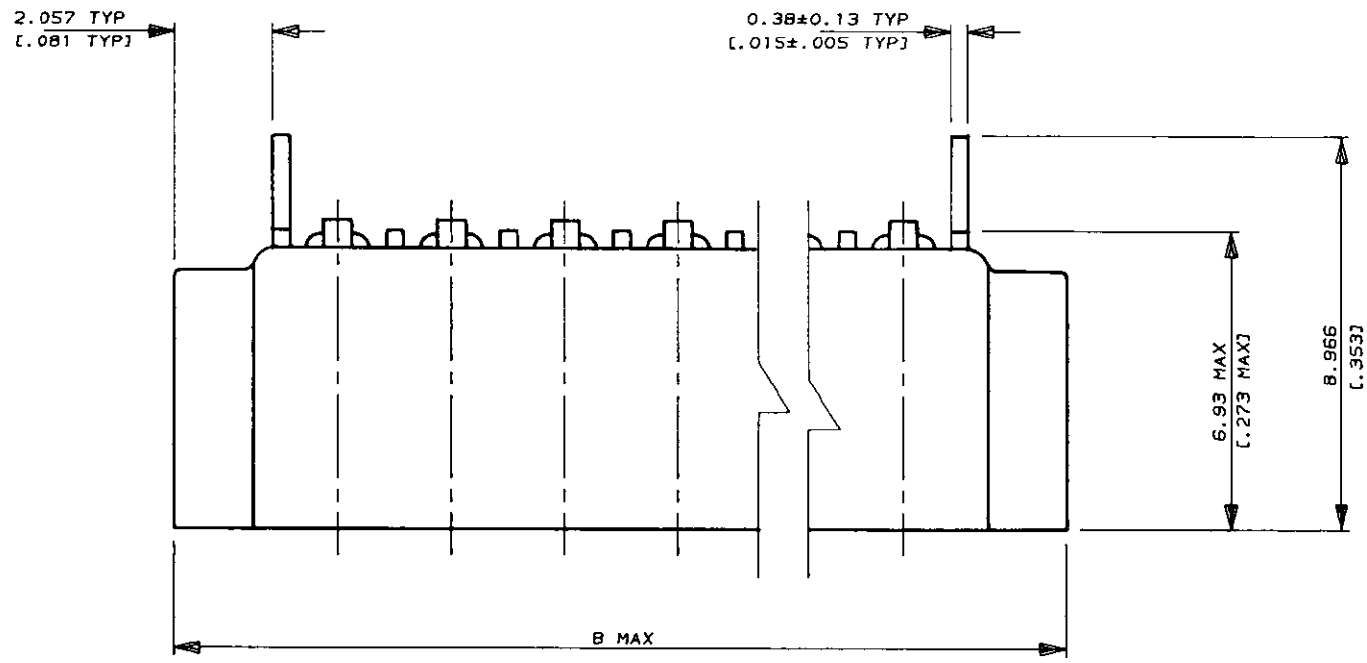
NUMBER  
520314



METRIC

DIMENSIONS IN MM [INCHES]. DO NOT SCALE PRINT

PRINT DIST



NOTES

- 1 CONNECTOR WILL ACCEPT FLEXIBLE PRINTED CIRCUIT OR FLAT FLEXIBLE CABLE ON 2.54 [.100] CENTERS IN A THICKNESS RANGE OF 0.127 TO 0.381 [.005 TO .015] IN CONTACT AREA
- △ STAND-OFFS PREVENT SOLVENT ENTRAPMENT
- △ LEAD-IN ON PINS FOR EASE OF INSERTION INTO BOARD
- △ SEQUENTIAL CONTACTS REDUCE CABLE INSERTION FORCE
- △ STABILIZING WING MAY BE REMOVED BY CUSTOMER IF NECESSARY
- △ ALTERNATING CONTACT FORM RETAINS CONNECTOR IN P.C. BOARD DURING SOLDER OPERATION
- 7 ACCEPTS CABLE OR CIRCUITRY WITH EXPOSED CONDUCTORS FACING TOWARD OR AWAY FROM THE BOARD SURFACE
- 8 REFER TO APPLICATION SPEC 114-2062
- △ MATERIAL  
HOUSING : GLASS REINFORCED POLYESTER  
THERMOPLASTIC UL 94 VO RATED, BLACK  
CONTACT : PHOS BRONZE
- △ 10 AREA INDICATED SHALL MEET SOLDERABILITY SPEC 109-11-1
- △ 11 PARTS PACKED IN TUBE FORM

△	40.46 [1.593]	38.30 [1.508]	14	2-520314-3
	60.78 [2.393]	58.62 [2.308]	22	2-520314-2
	58.24 [2.293]	56.08 [2.208]	21	2-520314-1
	55.70 [2.193]	53.54 [2.108]	20	2-520314-0
	53.16 [2.093]	51.00 [2.008]	19	1-520314-9
	50.62 [1.993]	48.46 [1.908]	18	1-520314-8
	48.08 [1.893]	45.92 [1.808]	17	1-520314-7
	45.54 [1.793]	43.38 [1.708]	16	1-520314-6
	43.00 [1.693]	40.84 [1.608]	15	1-520314-5
	40.46 [1.593]	38.30 [1.508]	14	1-520314-4
	37.92 [1.493]	35.76 [1.408]	13	1-520314-3
	35.38 [1.393]	33.22 [1.308]	12	1-520314-2
	32.84 [1.293]	30.68 [1.208]	11	1-520314-1
	30.30 [1.193]	28.14 [1.108]	10	1-520314-0
	27.76 [1.093]	25.60 [1.008]	9	520314-9
	25.22 [.993]	23.06 [.908]	8	520314-8
	22.68 [.893]	20.52 [.808]	7	520314-7
	20.14 [.793]	17.98 [.708]	6	520314-6
	17.60 [.693]	15.44 [.608]	5	520314-5
	15.06 [.593]	12.90 [.508]	4	520314-4
	12.52 [.493]	10.36 [.408]	3	520314-3
	9.98 [.393]	7.82 [.308]	2	520314-2

				Copyright ©1993		Copyright ©1993 AMP MFG (S) PTE LTD. ALL RIGHTS RESERVED.		<b>AMP</b>		AMP MANUFACTURING (S) PRIVATE LIMITED	
				(WIRE RANGE)	(INSULATION DIA.)	(NAME)					
				mm <sup>2</sup> (AWG - )	mmφ	TRIOMATE HORIZONTAL CABLE ENTRY FOR 1.57 [.062] THK P.C. BOARD					
				(MATERIAL)	(FINISH) CONTACTS BRIGHT TIN/LEAD PLATED	(GENERAL TOLERANCE)	SIZE	LOC	(No.)		
R	REVISED BY/EC/0910	LWY	SL	30.7.93	DR. WYLEE	±.38	A3	DY	520314		
Q	REDRAWN BY/EC/0784	LWY	SL	30.7.93	CHK. SALLY	[±.015]	(SCALE)	REV.	SHEET		
LTR	(REVISION RECORD)	DR	CHK	DATE	APP. PETER de JONG		6:1	R	1 OF 1		

(CUSTOMER DRAWING)